

Model 7196 Two Speed Jog Lever

This jog lever is a robust all metal cast bronze construction with stainless steel hardware to provide a long service life in a marine environment. With the watertight shaft seal and above panel sealed mounting, this unit can be located anywhere on the boat.

The 4" (100 mm) long handle is a spring-return to center device to provide **Non Follow-Up** two speed steering control. Move the handle 30 degrees to engage the first micro switch to activate a solenoid valve and continue to move the handle another 25 degrees to engage the second micro switch to activate another solenoid valve. One solenoid valve would provide a normal rudder speed for course holding, two solenoid valves provide a fast rudder speed for maneuvering.

Releasing the handle will cause the steering gear to stop. The handle springs back to center and the steering gear stays in the last position and does not move until you operate the jog lever. For a trouble free long life operation, an internal extension spring was incorporated rather than the normal torsional spring.

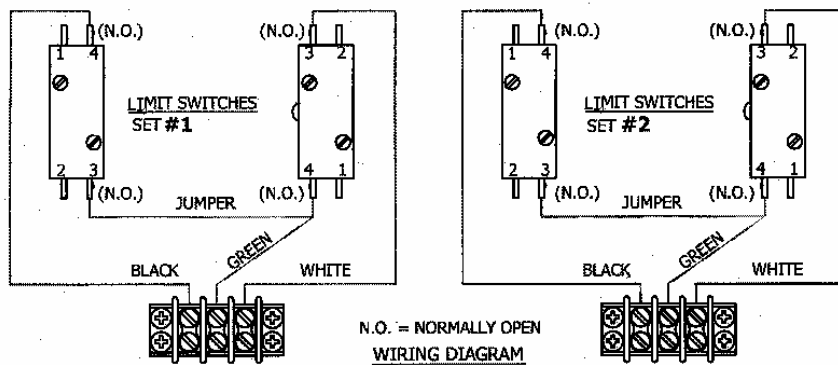
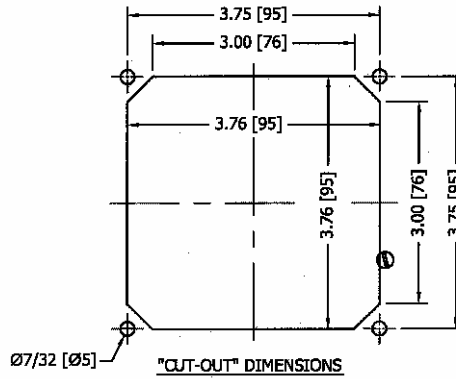
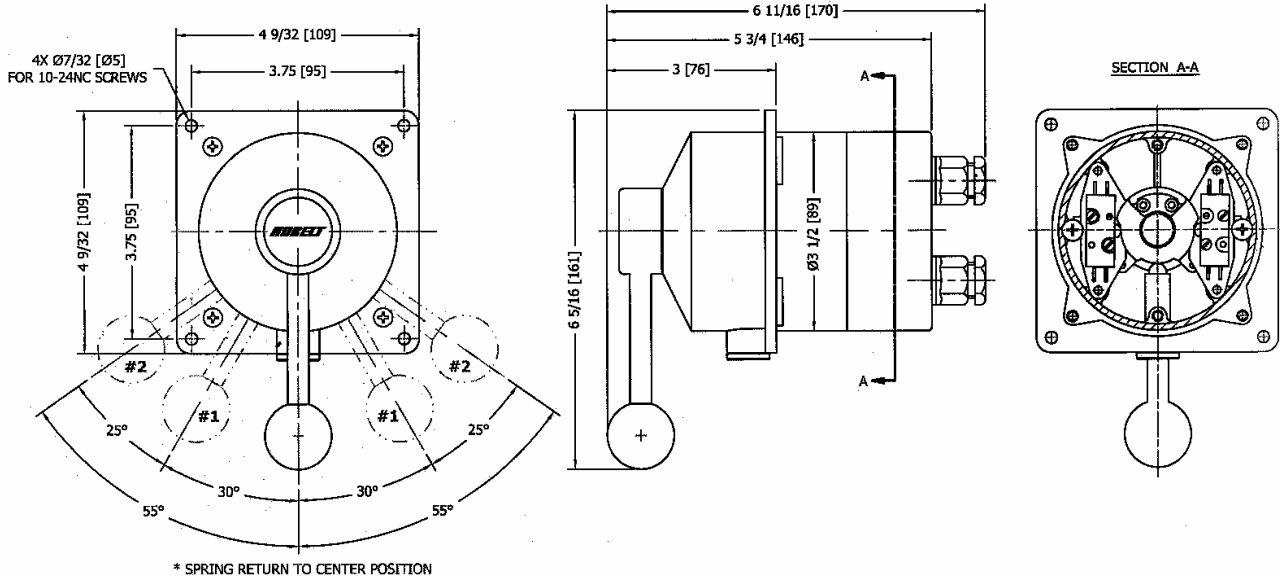
The jog lever has four 10A micro switches wired N.O. (normally open).
See instructions for full details.

Two steering (directional control) solenoid valves are required, a rudder feedback unit with limits switches is recommend, but a steering amplifier is not required.

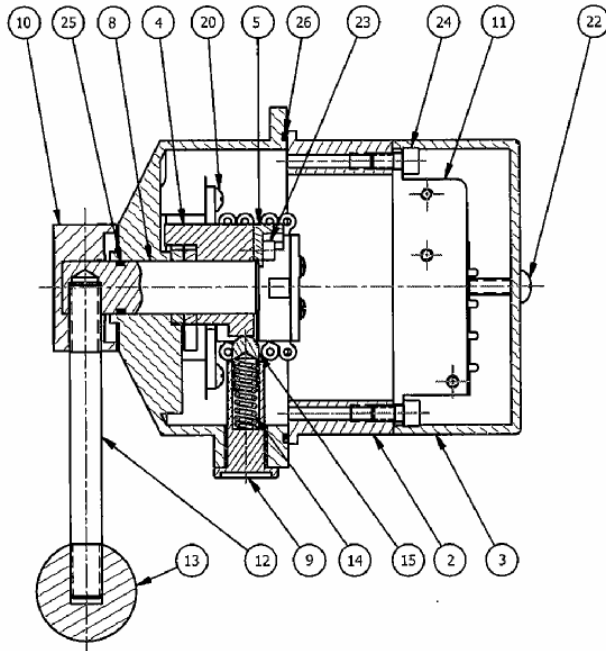
The two-speed jog lever can be used in other marine applications or industrial installations that require rising, lowering, or left and right motion control. For example, move the handle to the first micro switch to activate a power unit and continue to move the handle to activate the motion control.

Voltage: 12 or 24 VDC or 120 AC
Net weight: 4.0 lbs. (1.8 Kg)
Dimensions: 4.3" x 4.3" (109 x109 mm)

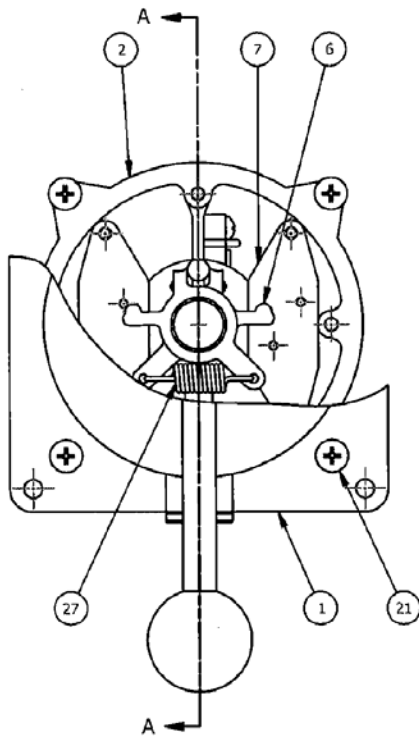
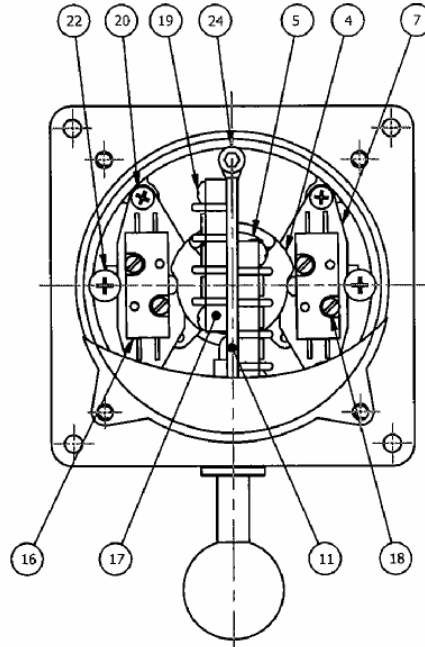
MODEL 7196



7196



SECTION A-A



ITEM	QTY	PART NO.	DESCRIPTION
1	1	7196-0001	Dome housing
2	1	7196-0002	Middle housing
3	1	7196-0003	Bottom housing
4	1	7196-0004	Cam #1large
5	1	7196-0005	Cam #2 small
6	2	7196-0006	Cam driven arm
7	2	7196-0007	Switch mounting bracket
8	1	7196-0008	Shaft
9	1	7196-0009	Detent pug
10	1	7196-0010	Handle cap
11	1	7196-0011	Terminal block bracket
12	1	7196-0012	Handle cap
13	1	2030-0011	Knob
14	1	2545-0012	Detent pug
15	1	1201-0062	Spring
16	4	6001-0001	Micro switch
17	2	6001-0214	Terminal connector
18	4	1006-0320	Screw
19	4	1006-0605	Screw
20	4	1006-0604	Screw
21	4	1010-0806	Screw
22	2	1010-0828	Screw
23	2	1002-0604	Screw
24	2	1002-0806	Screw
25	1	1101-0014	O-ring
26	1	1101-0043	O-ring
27	1	1202-1011	Spring