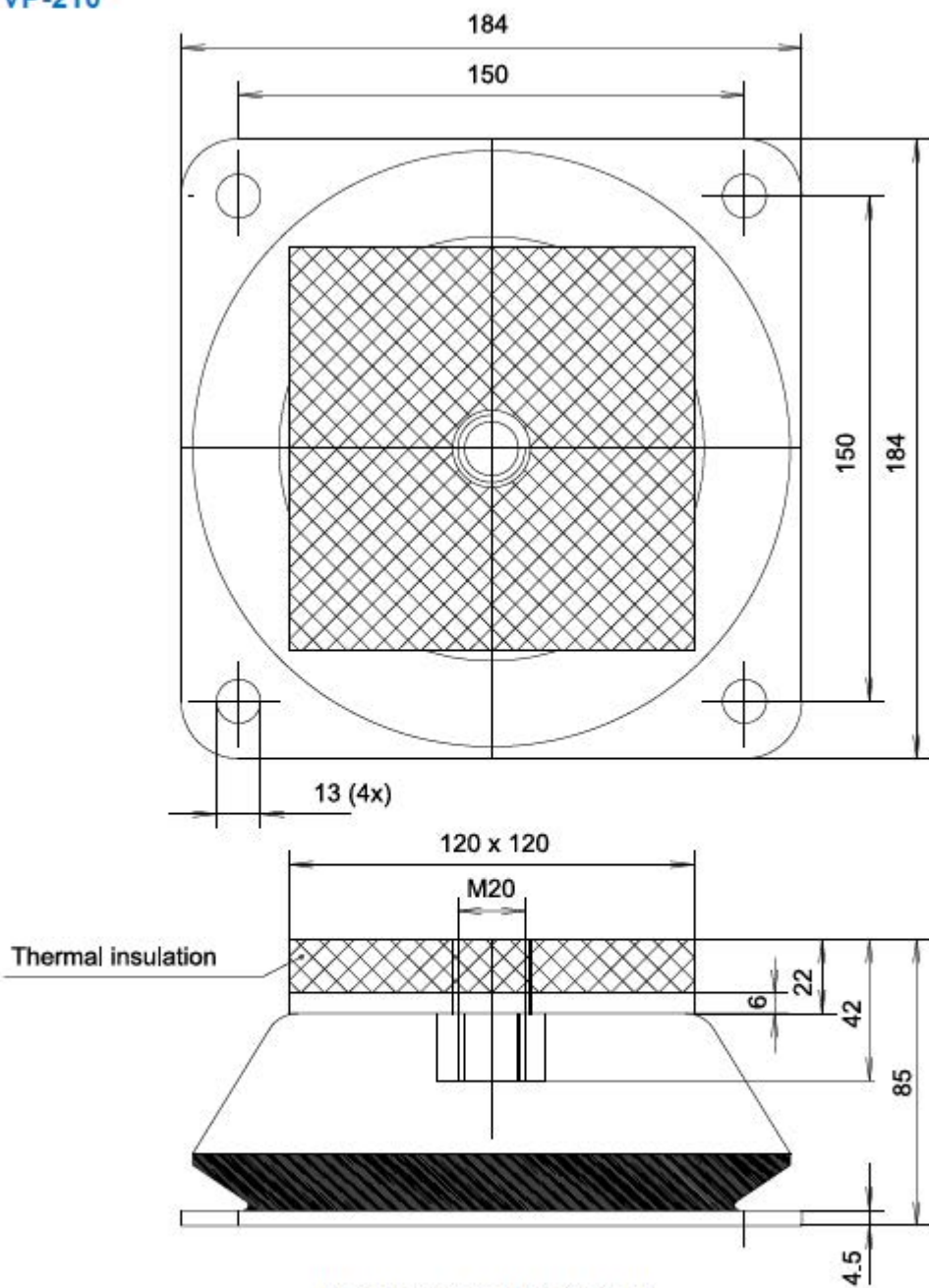


VP-210



Type	Maximum Load		
	(45° sh.)	(60° sh.)	(70° sh.)
VP-210	1000 kg	1600 kg	2400 kg