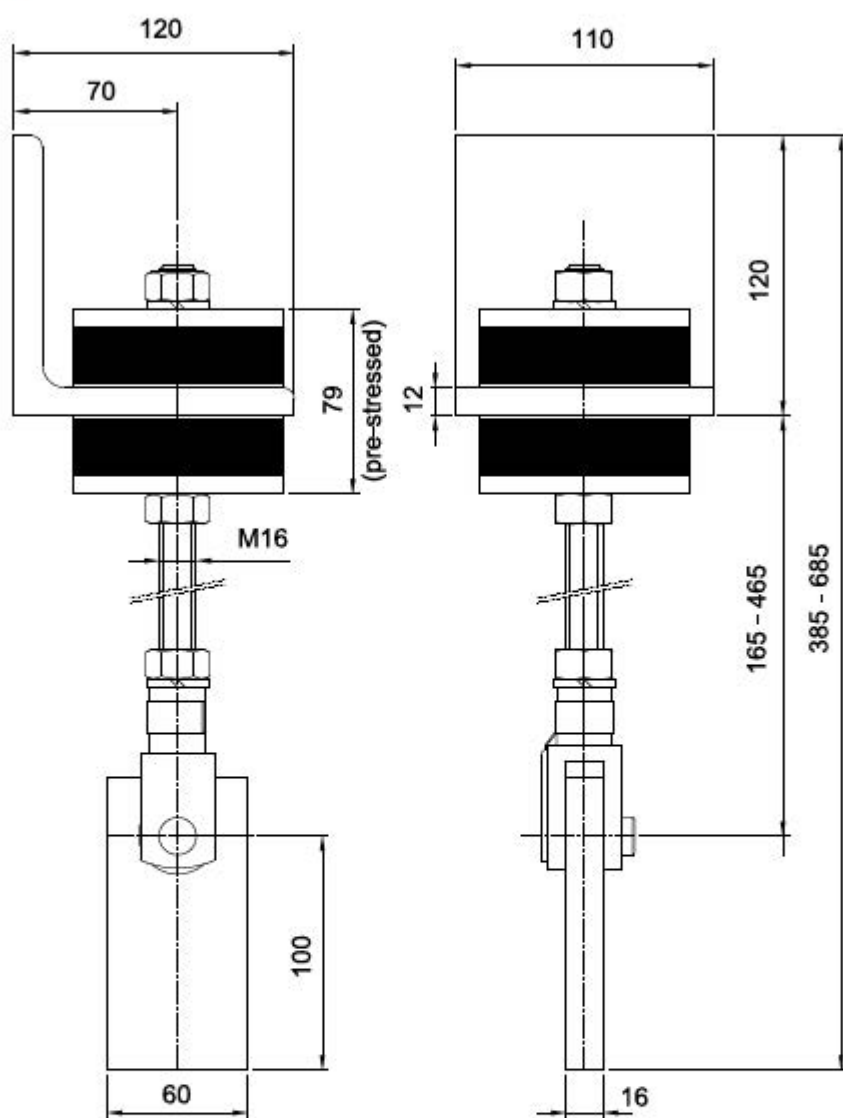


## TI-800



Dimensions are in millimeters (mm)

Sliding point type: TI-800

Maximum load: 800 kg

