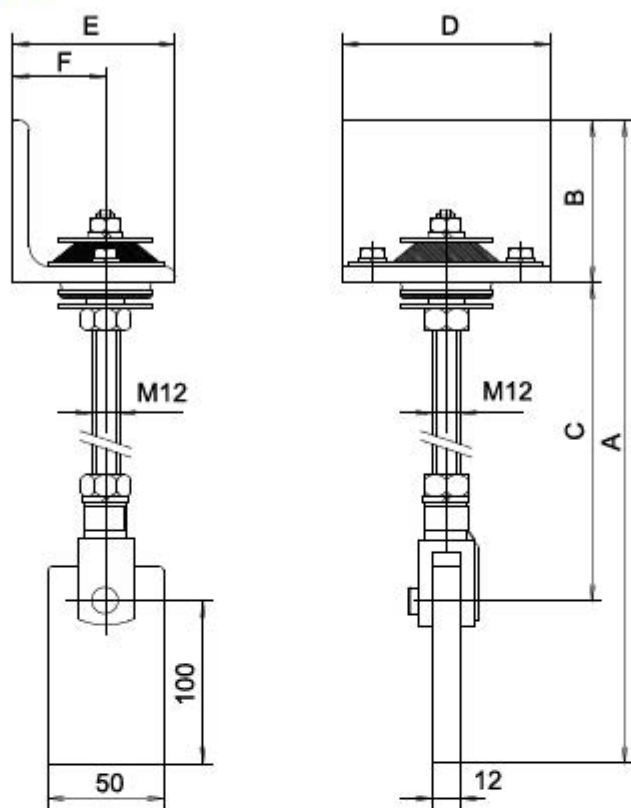


PI-021 / PI-025



Dimensions are in millimeters (mm)

| Type | Dimension (mm) | | | | | | Max. load (60° sh.) |
|--------|----------------|-----|---------|-----|-----|----|---------------------|
| | A | B | C | D | E | F | |
| PI-021 | 290-490 | 70 | 120-320 | 90 | 70 | 40 | 78 kg |
| PI-025 | 320-510 | 100 | 110-310 | 120 | 100 | 60 | 180 kg |

