



Level Mount



Level Mount

The level mount is installed in minutes by following the instructions provided. There is no need to fix the machine to the floor since the rubber base of the mounting keeps the machines in place. Whenever necessary, the machine can be easily re-positioned. The level is adjusted with load applied.

The rubber element of the level mount is oil and chemical resistant. All metal parts are zinc-plated and chromated for protection against corrosion.

Models TF 250, TF 600 and TF 1200 are also available in S/S (ISO 2604/11, BS 3605:1).

The mount, with level adjuster, is suitable for a wide range of free standing workshop machines.

Typical Applications Include:

- Lathes
- Milling machines
- Grinding machines
- Multiple operation machinery
- Presses
- Plate shears
- Nibbling machines
- Punches and cutters

About Trelleborg Industrial AVS

Over 100 years of experience as Metalastik and Novibra, today Trelleborg Industrial AVS make improvements people can physically feel. From smoother travel to quieter, more efficient machines, we make life feel better. With quality, testing and compliance built in, we're in it for the long haul, ensuring your solution still works, over an extended and often arduous life-cycle.

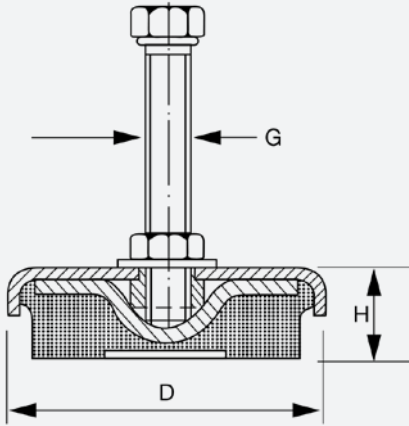
With three state-of-the-art manufacturing plants across the globe, our experience in rubber to metal bonding enhances several industries, including off-highway vehicles, rail and mass transit, marine and energy and general industry.

We offer an end-to-end service, to take you from concept through design, manufacturing and testing to delivery. This reduces the complexity of supply, helping you cut costs, mitigate risk and receive on time, on budget delivery.

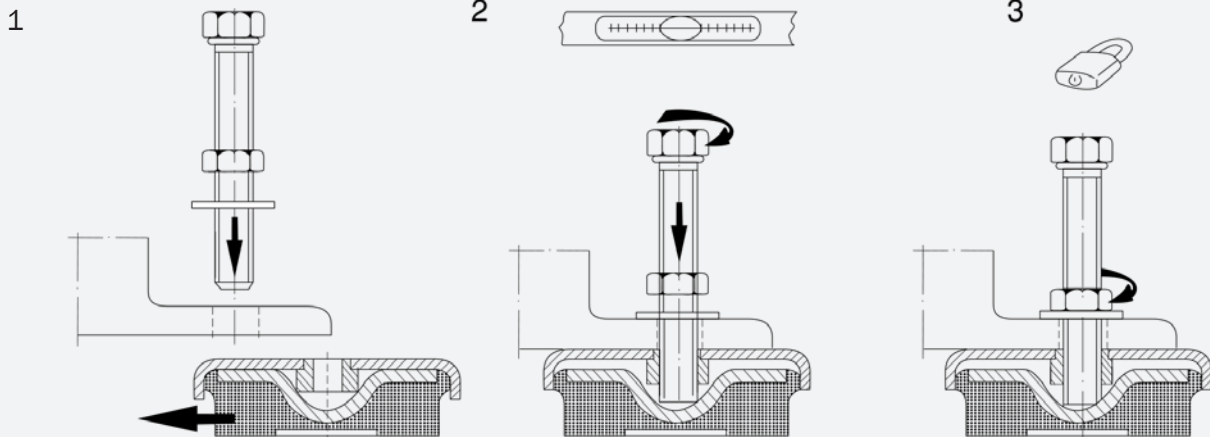
Trelleborg IAVS is part of Trelleborg Group, which employs 15,000 people in over 40 countries. Whatever your challenge, whatever your role and wherever you are, we are nearby to offer expert knowledge and quality solutions.

Level Mount

Technical Drawing



Mount instructions



Product Data

DRAWING No.	PART No.	TYPE	DIMENSIONS (mm)			OVERALL BOLT LENGTH (mm)	MAX LOAD (kg)	WEIGHT (kg)
			D	H	G			
19-0588	20-00623	TF 250	69	23	M 12	100	250	0.4
19-0589	20-00678	TF 250 S/S	69	23	M 12	100	250	0.4
19-0583	20-00624	TF 600	81	25	M 12	100	600	0.49
19-0585	20-00679	TF 600 S/S	81	25	M 12	100	600	0.49
19-0577	20-00625	TF 1200	108	29	M 16	100	1200	1
19-0578	20-00680	TF 1200 S/S	108	29	M 16	100	1200	1
19-0591	20-00626	TF 3000	151	35	M 20	120	3000	2.2
19-0596	20-00627	TF 4000	170	39	M 20	120	4000	2.9
19-0598	20-00628	TF 6000	205	44	M 20	150	6000	4.8

TYPE	GENERAL WORKSHOP MACHINERY	PRESSES AND PUNCHES			
		NUMBER OF STROKES PER MINUTE			
		1 - 125	126 - 175	176 - 225	226 - 275
TF 250	250	25 - 125	20 - 100	15 - 85	12 - 60
TF 600	251 - 600	126 - 300	101 - 240	86 - 200	61 - 150
TF 1200	601 - 1200	301 - 600	241 - 480	201 - 400	151 - 300
TF 3000	1201 - 3000	601 - 2400	481 - 1600	401 - 1000	301 - 750
TF 4000	3001 - 4000	2401 - 3200	1601 - 2100	1001 - 1300	751 - 1000
TF 6000	4001 - 6000	3201 - 4800	2101 - 3200	1301 - 2000	1001 - 1500

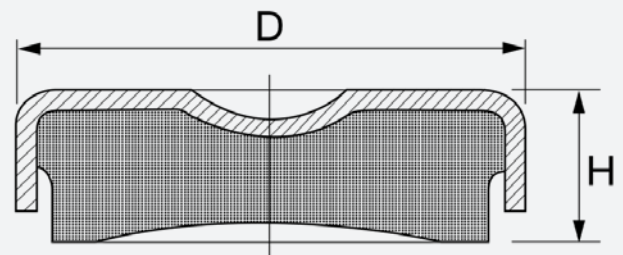
Level Mount TFE

Level Mount

The level mount TFE is a simpler version of the level mount without a level adjuster. It is used for machines which do not require height adjustment or where such a feature is already provided, e.g. by an adjusting screw in the machines.

Both models are also available in S/S (ISO 2640/11, BS 3605:1).

Technical Drawing



TYPE	PART NO	DIMENSIONS IN MM		OVERALL BOLT LENGTH	WEIGHT (KG)	MAX LOAD (KG)
		D	H			
TFE 601	20-00629-01	80	25	100	0.375	800
TFE 1201	20-00630-01	109	29	100	0.925	1600