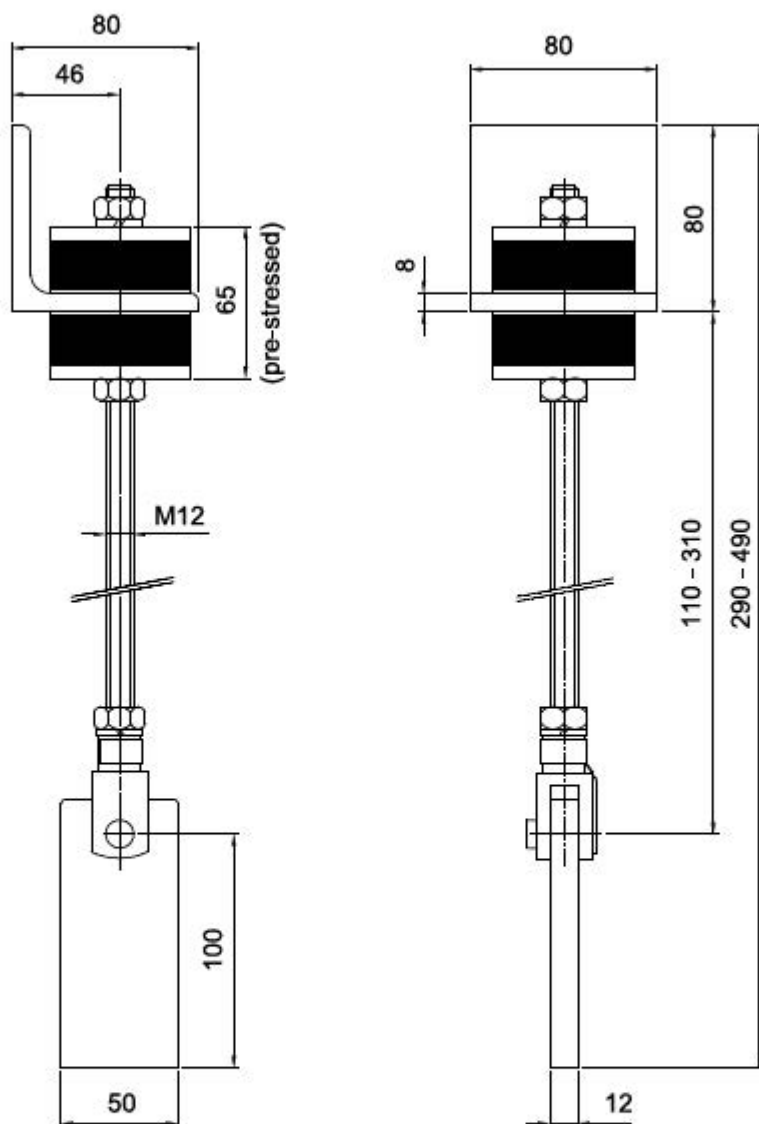


TI-250



Dimensions are in millimeters (mm)

Sliding point type: TI-250
Maximum load: 250 kg

