

# Compact Passport Display

## With Passport I/O Microprocessor Control System



The Compact Passport display is an easy-to-use wall-mountable unit available in black or white. The display has an integrated bezel. The display works with Marine Air's Passport I/O microprocessor-based control system to provide precise control and monitoring of direct expansion and chilled water boat air conditioning systems. Passport I/O is dual voltage, operating at both 115 and 230 Volts, 50 or 60 Hz. In chilled water air handlers, the system is referred to as AH-Passport I/O.

The assembly has a ground shield to protect against static interference and RF noise. The circuit board is conformally coated to provide high resistance to external damage or corrosion.

A display cable with gold plated phone-type modular jacks connects the panel to the system controller. An optional air sensor cable is connected to the circuit board in the same manner. Non-volatile memory stores all user-selectable parameters indefinitely during operation or any power failure situations.

Internal self-diagnostic programs provide complete electronic checks of all lights, sensors, keys and circuits. Fused circuits and M.O.V.s (metal oxide varistors) provide component and board protection.

The Passport I/O control meets or exceeds applicable ABYC, U.S. Coast Guard Regulations and CE Directives.

### Key Benefits

- Automatic humidity control reduces moisture when the boat is unattended
- Cool-only, heat-only, dehumidify, and automatic mode selection
- New optional electric-heat relay
- Automatic or manual fan-speed selection
- Cycle fan with compressor or continuous fan operation
- Calibration of fan-speed settings and temp display for precise control
- Controls shaded pole and split capacitor fan motors
- Compressor fail-safe protection
- Programmable de-icing cycle
- Built-in air sensor
- Optional remote air sensor
- Dimmable display
- Low voltage for optimum safety

## Specifications for Compact Passport Display

Model <sup>(1)</sup>	Passport Compact
Set Point Temp. Range (°F/°C)	65 - 85/18.4 - 29.5
Display Temp. Range (°F/°C)	5 - 150/-15 - 65.6
Air Sensor Temp. Range (°F/°C)	5 - 150/-15 - 65.6
Sensor Accuracy (°F/°C)	2/77/-16.7/25
Water Inlet Sensor Cable Length (AH-Elite) (ft/m)	7/3
Display Cable Length (ft/m - ft/m) <sup>(1)</sup>	10/3.1 - 75/22.9
Optional Alternate/Remote Air Cable Length (ft/m) <sup>(1)</sup>	7 - 60/2.2 - 18.3
Optional Outside Air Sensor Cable Length (ft/m) <sup>(1)</sup>	7 - 50/2.2 - 15.3
Optional Pump Sentry Cable Length (ft/m)	7 - 60/2.2 - 18.3
Height-Display (in/mm)	2.5/64
Width-Display (in/mm)	3.19/82
Depth-Display (in/mm)	0.94/24
Panel Cut-Out Height (in/mm)	1.875/48
Panel Cut-Out Width (in/mm)	2.5/64

<sup>1</sup> Maximum length is 75 ft. (23 m).

<sup>2</sup> Bezels sold separately; dimensions may vary depending on style.

## Electrical Specifications for Passport I/O Control System

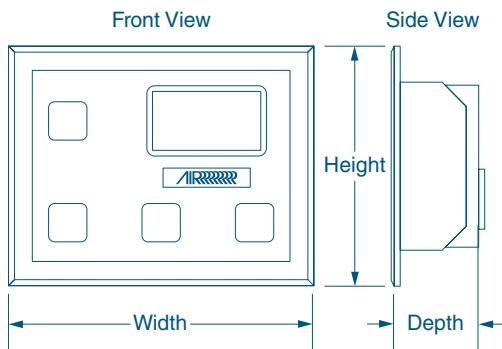
Voltage	Cycle	Compressor Output-Control System <sup>(1)</sup>	R.V. Output-Control System <sup>(3)</sup>	Fan Output	Heater Output	Pump Output <sup>(2)</sup>
115 or 230	50 or 60Hz	40V	0.25V	6V	30/20V	1/4 HP (0.2kW) 1/2 HP (0.4kW)

<sup>1</sup> Maximum loads should not exceed 85% of listed output ratings.

<sup>2</sup> Does not apply to AH-Elite or AH-Passport (for chilled water systems).

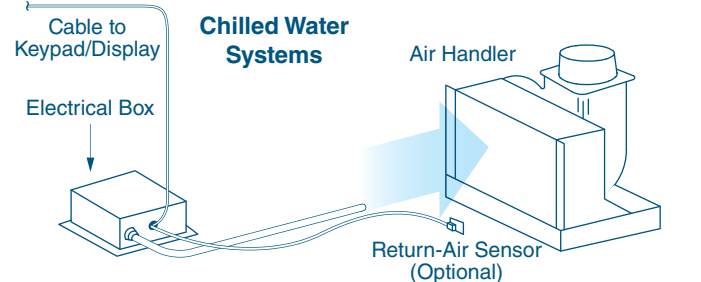
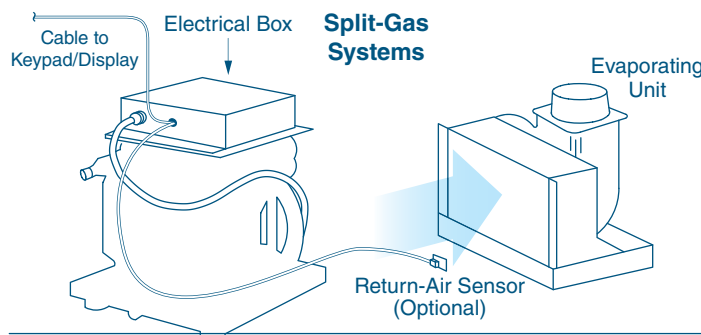
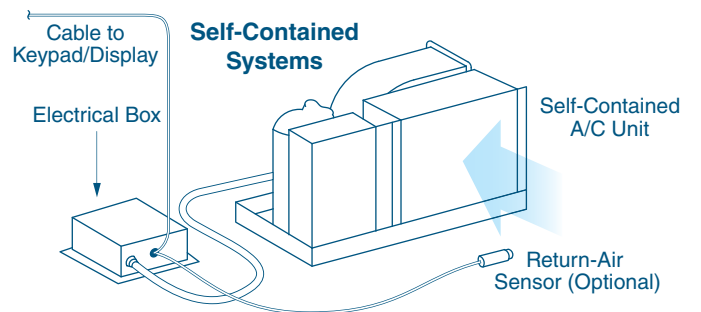
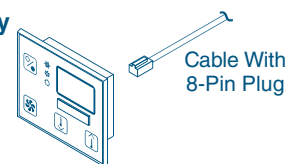
<sup>3</sup> Used as water valve output for AH-Elite and AH-Passport (for chilled water systems).

## Dimensions



## Installation

### Passport Keypad/display



**DOMETIC MARINE DIVISION**  
 2000 N. Andrews Ave. Ext. | Pompano Beach, FL 33069 USA | Tel. 954-973-2477 | Fax: 954-979-4414  
 www.Dometic.com/Marine | MarineSales@DometicUSA.com

**24/7 TECH SUPPORT FOR UNITED STATES & CANADA:**  
 8:00 AM to 5:00 PM Eastern Time: 800-542-2477  
 After hours and weekends: 888-440-4494

**INTERNATIONAL SALES & SERVICES**  
 Europe & the Middle East: Call +44(0)870-330-6101  
 For all other areas visit our website to find your nearest distributor.

Dealer

